

# TELECA - Whelping Box

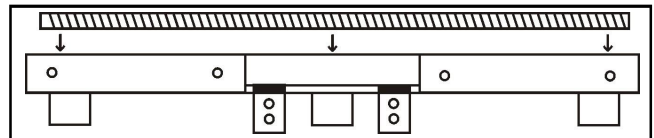
## Building instructions

Thank you for purchasing a TELECA Whelping Box!

The following information should help you to put the TELECA Whelping Box together. If you still have any questions or helpful suggestions, we would be pleased to hear them. Please ring on 0049 5455 670 or email on [info@teleca.de](mailto:info@teleca.de).

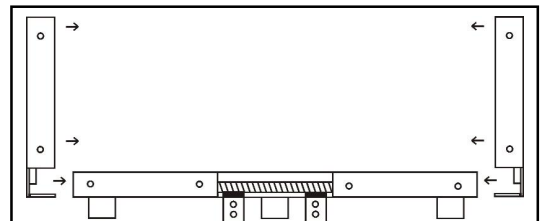
### Instructions:

- Put the floor of the whelping box with its feet on the ground. The entrance of the box should face you.



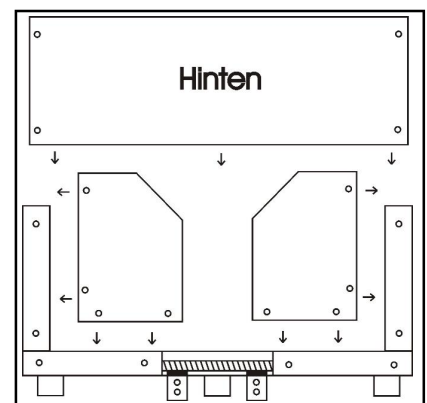
- If you have also purchased a TELECA Heated Kennel Floor, please lay it on top of the whelping box floor. There is a 15mm gap to the edge of the aluminum strip or to the sides. The electric connection has to be on the left side at the back. There you will find a groove.

- Push the sides on the whelping box.

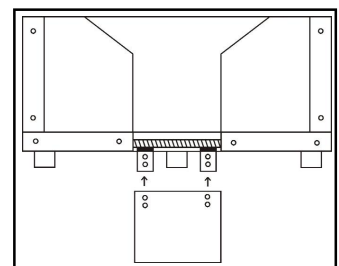


- Slide down the back piece from the top down to the floor. Screw the back wall down with the provided 5 flat head screws.

- Slide down the front walls, as you can see in the picture behind the aluminum bracket. Now fasten each one with 4 provided screws.



- Fasten the door by laying the door on the hinge. Angle the hinge so you can screw from the top or from underneath.



We wish you a lot of enjoyment and success with the TELECA Whelping Box.

Your TELECA Team